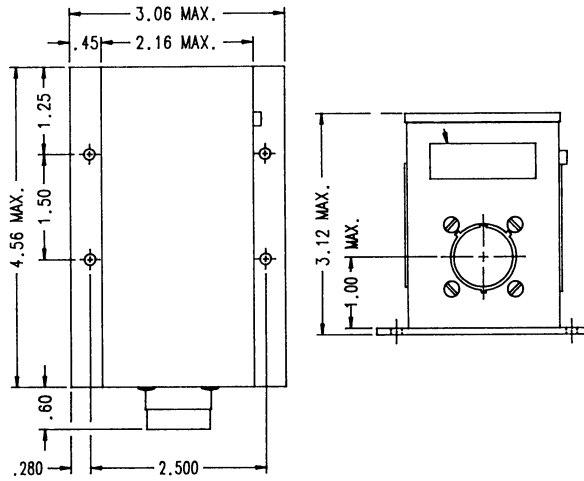
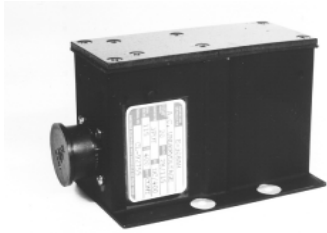


**E-308AH 3PDT, 10 Amps, 115 VAC**

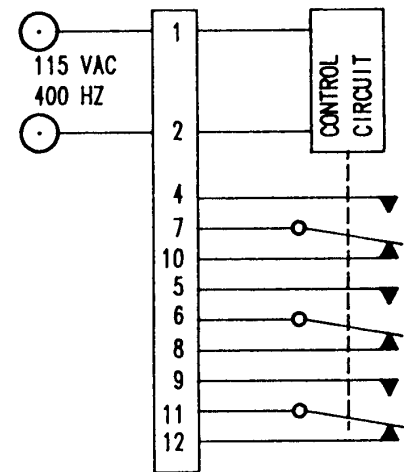


Dimensions for this product are expressed in inches. Multiply values by 25.4 for millimeters.

**Features:**

- 3PDT Main Contacts
- Drop-Out Time Delay
- 115 VAC
- 10 Amps
- High Reliability
- Meets many requirements of MIL-R-6106
- Light Weight Construction

**CONTACTOR CONFIGURATION**



**Notes:**

PRODUCT SPECIFICATIONS	
<b>Electrical:</b> Contact Form Contact Rating (Amps/Pole at 115 VAC & 28 VDC) Load Transfer  Contact Life Contact Bounce Duty Cycle Nominal Operating Voltage Maximum Operating Voltage Operating Frequency Pick-Up Voltage Pick-Up Time Drop-Out Voltage Drop-Out Time Delay  Input Voltage Transients Operating Current Dielectric Withstanding Voltage Insulation Resistance	3PDT Resistive Inductive Motor Lamp 20 15 5 4 10 Amps Inductive MIL-R-6106 .7 P.F. Lagging, 10,000 Operations Minimum 50,000 Operations, Minimum at Rated Resistive Load 3 Milliseconds Maximum Continuous 115 VAC, RMS L-N 122 VAC, RMS L-N 400 ±20 Hz 109 ±2 VRMS 75 Milliseconds Max. 104 ±2 VRMS When the relay is in the energized position and the voltage drops below 104 ±2 VRMS and above 88 ±4 VRMS the relay shall remain energized for 200 - 400 milliseconds. When the voltage drops below 88 ±4 and above 8 ±1 VRMS, the relay shall remain energized for 50-400 milliseconds. Below 8 ±1 VRMS the relay shall de-energize in 400 milliseconds max. Per MIL-STD-704A 200 Milliamps Maximum at 25°C 1000 VRMS, 60 Hz, 1 MIL / AMP Maximum Leakage 1000 MegOhms Minimum at 500 VDC at 20°C and 50% RH (Max.)
<b>Environmental:</b> Ambient Temperature  Vibration Shock Acceleration Altitude	-55°C to +85°C (Operating) -55°C to +125°C (Non-Operating) .060 DA 5 to 80 Hz, 20 G'S 80 to 2000 Hz 30 G'S, 11 Milliseconds, 1/2 SINE, 3 Axes 20 G'S in Any Axis 0 to 50,000 Feet
<b>Mechanical:</b> Weight Construction	18 Oz. Gasket Seal (Vented), Hermetic Sealed Contacts, Aluminum Cover and Mounting Flanges

For factory-direct application assistance, contact the HARTMAN product team at (419) 521-9500, Fax (419) 526-2749.

© 2004 by Tyco Electronics Corporation. All Rights Reserved. HARTMAN and TYCO are trademarks.